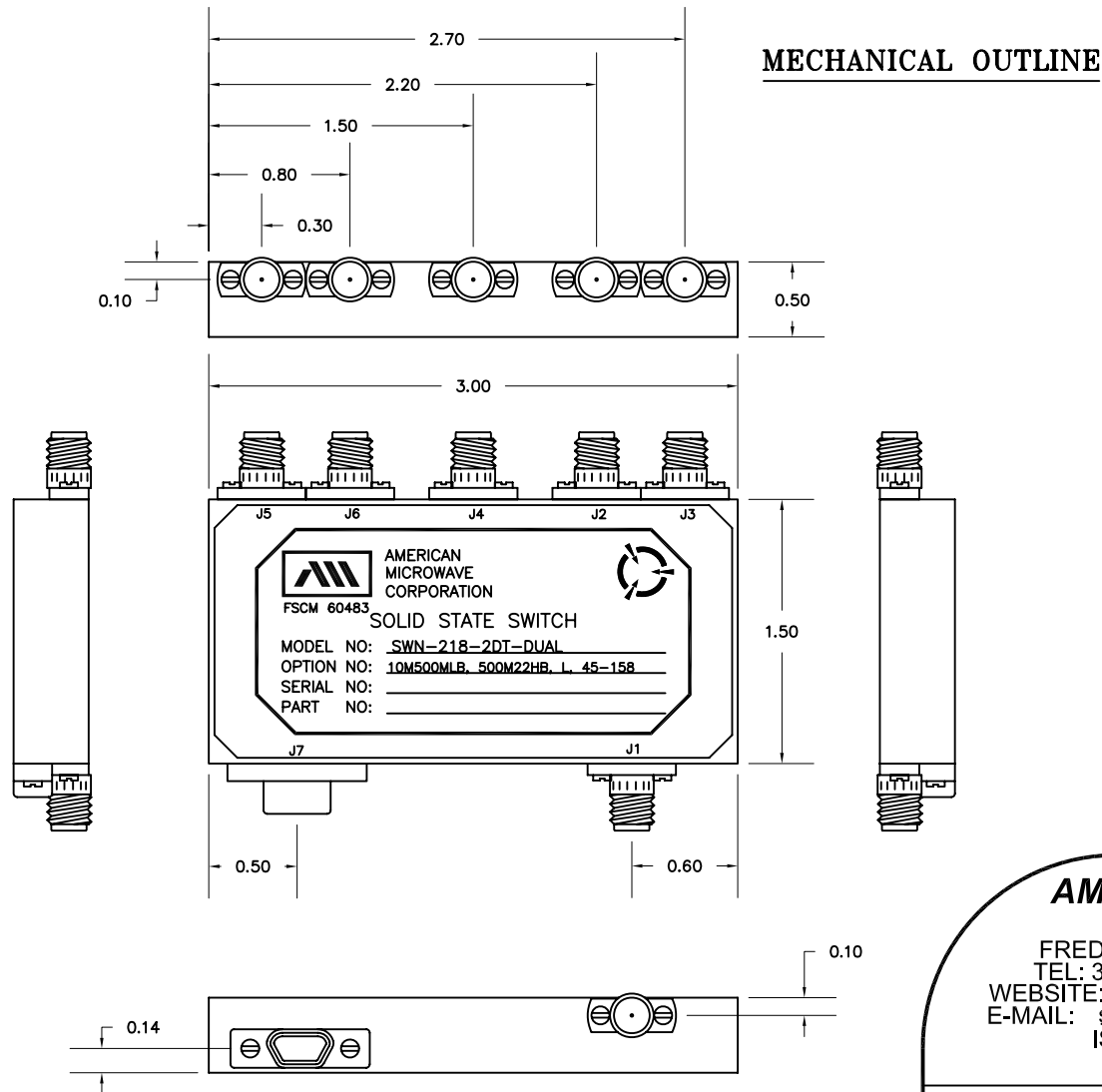


DESCRIPTION

AMC MODEL SWN-218-2DT-DUAL OPTION: 10M500MLB, 500M22HB, L, 45-158 IS A HI AND LOW BAND SINGLE POLE DOUBLE THROW, NON-REFLECTIVE/ABSORPTIVE SWITCH MODULE WITH VERY LOW VIDEO TRANSIENT, HIGH ISOLATION, AND WITH INTEGRAL TTL DRIVER, DESIGNED FOR DC TO 18 GHz OPERATION.

REVISIONS				
ZONE	REV.	DESCRIPTION	DATE	APPROVED
	-	ORIGINAL RELEASE JOB# 606107PE	9/22/06	



ALL DIMENSIONS ARE IN INCHES
 TOLERANCES:
 X.XX ±0.020
 X.XXX ±0.010

AMERICAN MICROWAVE CORPORATION

7311-G GROVE ROAD
 FREDERICK, MARYLAND 21704 USA
 TEL: 301-662-4700 FAX: 301-662-4938
 WEBSITE: www.americanmicrowavecorp.com
 E-MAIL: sales@americanmicrowavecorp.com
 ISO 9001:2000 CERTIFIED



APPROVALS		DATE	TITLE		
DRAWN	<i>PRB</i>	9/22/06	MECHANICAL OUTLINE SWN-218-2DT-DUAL		
CHECKED	<i>RA</i>	10/11/06	OPTION: 10M500MLB, 500M22HB, L, 45-158 HI/LO BAND DUAL SPST SWITCH		
ISSUED			SIZE	FSCM NO.	DWG NO.
			A	60483	100-7714-000
			SCALE	SHEET	
			N:S	2 OF 4	

DESCRIPTION

AMC MODEL SWN-218-2DT-DUAL OPTION: 10M500MLB, 500M22HB, L, 45-158 IS A HI AND LOW BAND SINGLE POLE DOUBLE THROW, NON-REFLECTIVE/ABSORPTIVE SWITCH MODULE WITH VERY LOW VIDEO TRANSIENT, HIGH ISOLATION, AND WITH INTEGRAL TTL DRIVER, DESIGNED FOR DC TO 18 GHz OPERATION.

SPECIFICATIONS

- FREQUENCY RANGE: 10MHz TO 500MHz LOW BAND
500MHz TO 22GHz HIGH BAND
- INSERTION LOSS: 2.0 dB MAXIMUM LOW BAND
- INSERTION LOSS: 4.5 dB MAXIMUM HIGH BAND
- ISOLATION
10MHz TO 500MHz: 60 dB MINIMUM, LOW BAND
500MHz TO 22 GHz: 60 dB MINIMUM, HIGH BAND
HIGH BAND PORT-TO-PORT ISOLATION 100 dB MINIMUM
LOW BAND PORT-TO-PORT ISOLATION 100 dB MINIMUM
- VSWR: 1.5:1 GOAL, 7.0:1 MAX
- DELAY ON: 200nS MAXIMUM
- DELAY OFF: 200nS MAXIMUM
- VIDEO TRANSIENT
300MHz BW(400MHz-13GHz) 20mV P-P
20MHz BW(400MHz-13GHz) 4mV P-P
- POWER INPUT: (CW)+27 dBm
- CONTROL:
- CONNECTORS:
RF: SMA FEMALE
POWER & CONTROL: MULTI-PIN
- POWER SUPPLY: +5V @ 200 mA MAXIMUM
-12V @ 100 mA MAXIMUM
- SIZE: 3.00" (L) x 1.50" (W) x 0.50" (H)
- WEIGHT: 1.5 OUNCE TYPICAL

LOGIC INPUT	TTL VALUE	OUTPUT
SWITCH #1 LOGIC LINE	0	LOW BAND OUTPUT #1
	1	LOW BAND OUTPUT #2
SWITCH #2 LOGIC LINE	0	HIGH BAND OUTPUT #1
	1	HIGH BAND OUTPUT #2
SWITCH #1 ENABLE	0	LOW BAND OFF(ALL LOW BAND PORTS OFF)
	1	LOW BAND ENABLE(STANDARD OPERATION)
SWITCH #2 ENABLE	1	HIGH BAND SWITCH ISOLATED(ALL HIGH BAND PORTS OFF)
	1	HIGH BAND ENABLE(STANDARD OPERATION)

OPTIONS

- 10M500MLB FREQUENCY RANGE 10MHz TO 500MHz
- 500M22HB FREQUENCY RANGE 500MHz TO 22GHz
- L LATCHING CAPABILITY
- 45-158 INTERNAL CODE

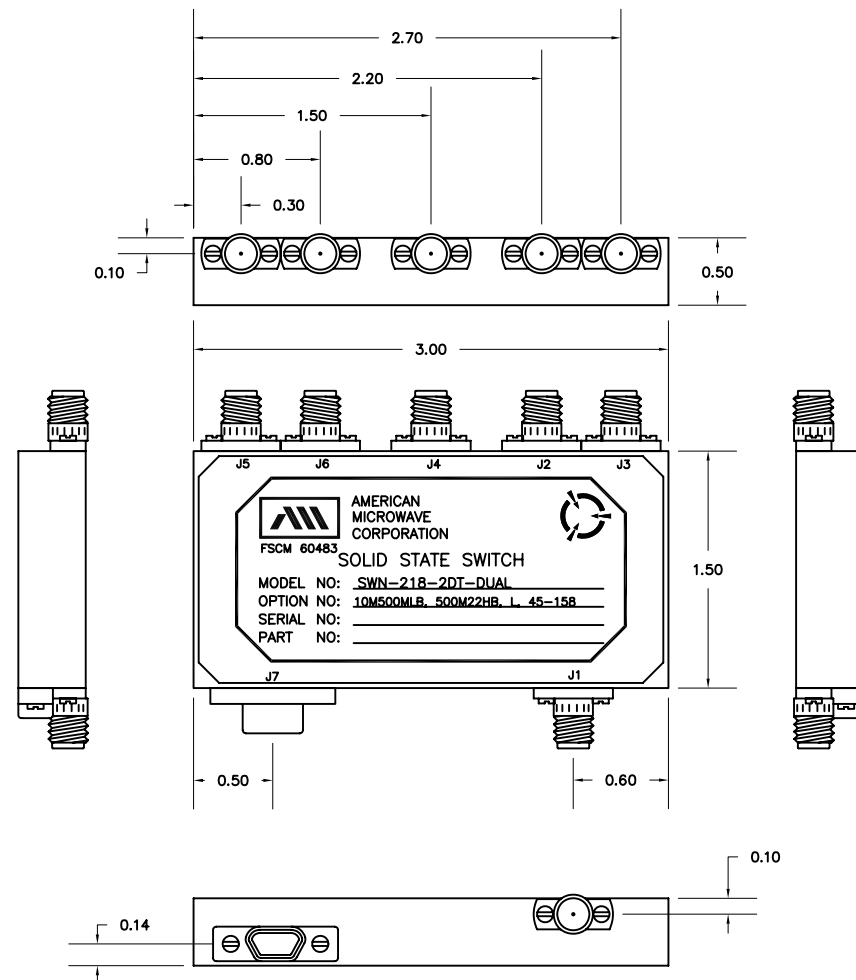
ENVIRONMENTAL RATINGS

- TEMPERATURE:** -55°C TO +85°C (OPERATING)
-65°C TO +125°C (STORAGE)
- HUMIDITY:** MIL-STD-202F, METHOD 103B COND. B
- SHOCK:** MIL-STD-202F, METHOD 213B COND. B
- VIBRATION:** MIL-STD-202F, METHOD 204D COND. B
- ALTITUDE:** MIL-STD-202F, METHOD 105C COND. B
- TEMPERATURE CYCLE:** MIL-STD-202F, METHOD 107D COND. A

NOTE: SPECIFICATIONS WILL VARY OVER OPERATING TEMPERATURE
NOTE: THE ABOVE SPECIFICATIONS ARE SUBJECT TO CHANGE OR REVISION

ALL DIMENSIONS ARE IN INCHES
TOLERANCES:
X.XX ±0.020
X.XXX ±0.010

REVISIONS				
ZONE	REV.	DESCRIPTION	DATE	APPROVED
	-	ORIGINAL RELEASE JOB# 606107PE	9/22/06	



AMERICAN MICROWAVE CORPORATION

7311-G GROVE ROAD
FREDERICK, MARYLAND 21704 USA
TEL: 301-662-4700 FAX: 301-662-4938
WEBSITE: www.americanmicrowavecorp.com
E-MAIL: sales@americanmicrowavecorp.com
ISO 9001:2000 CERTIFIED



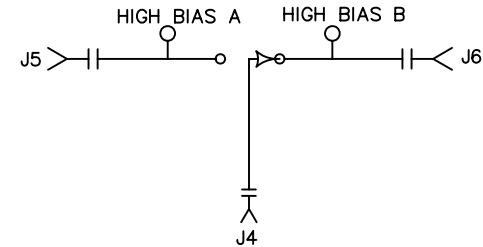
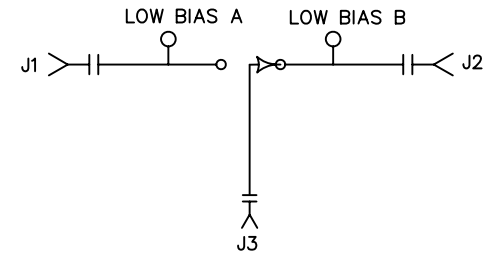
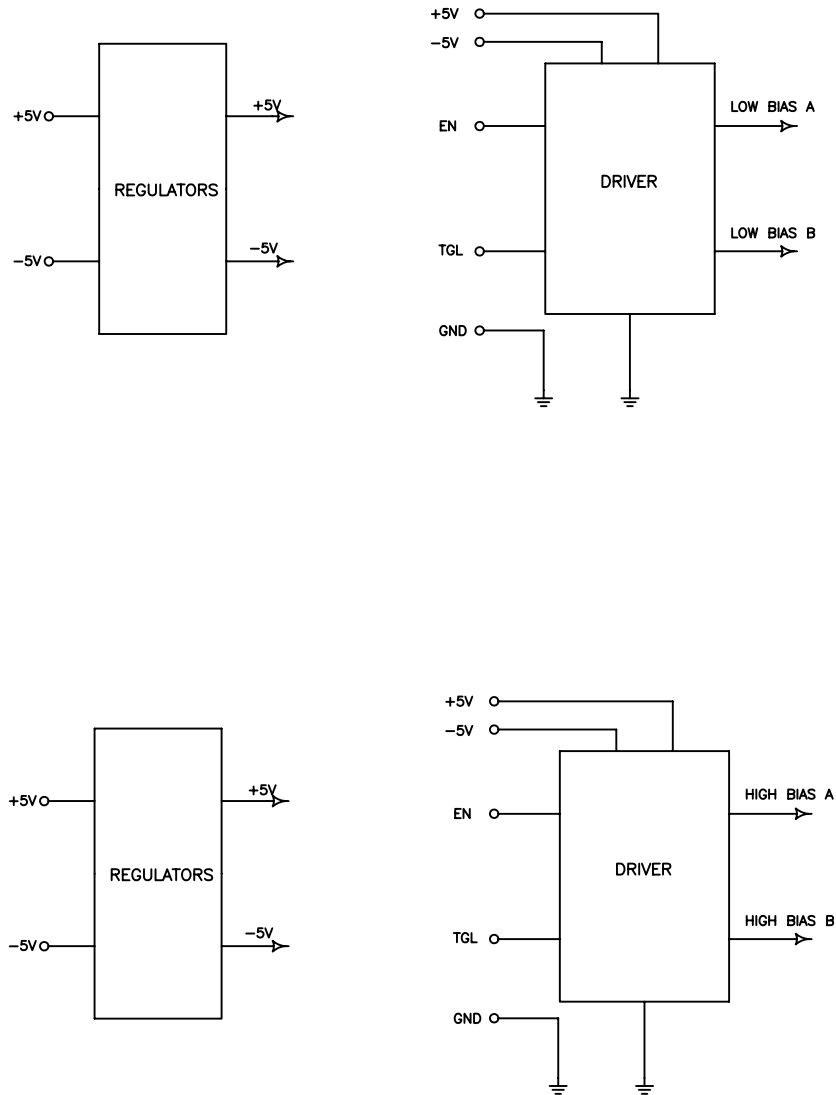
APPROVALS		DATE	TITLE			
DRAWN <i>PRB</i>		9/22/06	PRODUCT FEATURE SWN-218-2DT-DUAL			
CHECKED <i>RA</i>		10/11/06	OPTION: 10M500MLB, 500M22HB, L, 45-158 HI/LO BAND DUAL SPST SWITCH			
ISSUED			SIZE	FSCM NO.	DWG NO.	REV.
			A	60483	100-7714-000	-
			SCALE	SHEET		
			N:S	1 OF 4		

DESCRIPTION

AMC MODEL SWN-218-2DT-DUAL OPTION: 10M500MLB, 500M22HB, L, 45-158 IS A HI AND LOW BAND SINGLE POLE DOUBLE THROW, NON-REFLECTIVE/ABSORPTIVE SWITCH MODULE WITH VERY LOW VIDEO TRANSIENT, HIGH ISOLATION, AND WITH INTEGRAL TTL DRIVER, DESIGNED FOR DC TO 18 GHz OPERATION.

REVISIONS				
ZONE	REV.	DESCRIPTION	DATE	APPROVED
	-	ORIGINAL RELEASE JOB# 606107PE	9/22/06	

FUNCTIONAL BLOCK DIAGRAM



CONFIDENTIAL AND PROPRIETARY

AMERICAN MICROWAVE CORPORATION

7311-G GROVE ROAD
 FREDERICK, MARYLAND 21704 USA
 TEL: 301-662-4700 FAX: 301-662-4938
 WEBSITE: www.americanmicrowavecorp.com
 E-MAIL: sales@americanmicrowavecorp.com
 ISO 9001:2000 CERTIFIED



APPROVALS		DATE	TITLE			
DRAWN <i>PRB</i>		9/22/06	FUNCTIONAL BLOCK DIAGRAM SWN-218-2DT-DUAL			
CHECKED <i>RA</i>		10/11/06	OPTION: 10M500MLB, 500M22HB, L, 45-158 HI/LO BAND DUAL SPST SWITCH			
ISSUED			SIZE A	FSCM NO. 60483	DWG NO. 100-7714-000	REV. -
			SCALE N:S			SHEET 3 OF 4